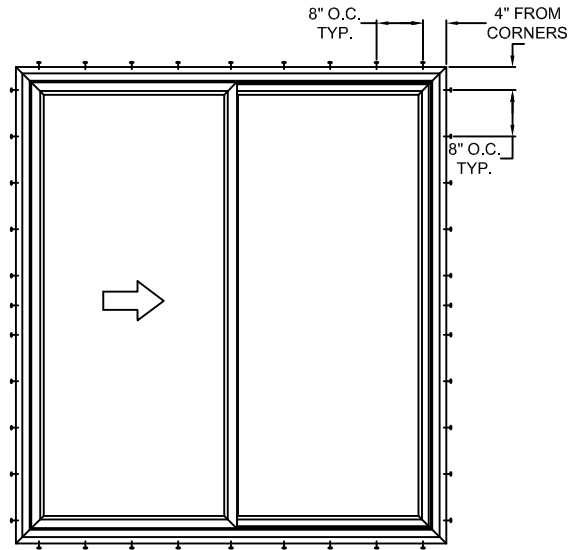
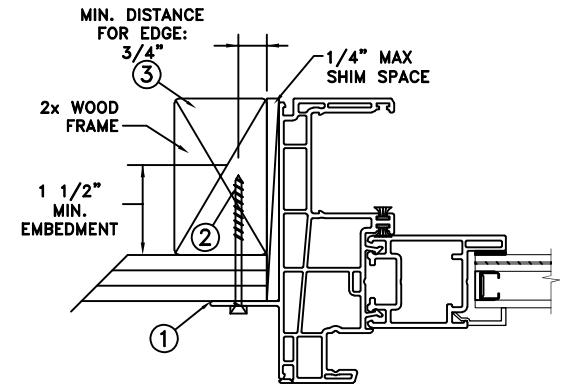
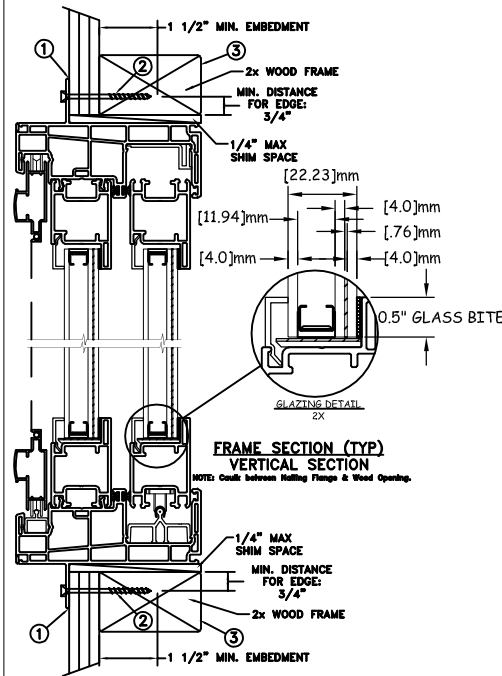


NAILFIN INSTALLATION



TYPICAL ELEVATION WITH FASTENER SPACING



JAMB SECTION (TYP)
HORIZONTAL SECTION
NOTE: Caulk between Nailing Flange & Wood Opening.

MAXIMUM FRAME	DP	IMPACT
71 1/2 x 79	+50/-55	YES

MISSILE LEVEL C - WZ2

Installation Notes:

1. Seal flange/frame to substrate. Sill shall be set on a continuous serpentine bead of structural grade silicone caulk when no fastener is used to anchor the sill (typical).
2. Use #8 PH or greater fastener through the nail fin with sufficient length to penetrate a minimum of 1 1/2" into the wood framing. For 2x wood frame substrate (min. S.G. = 0.42)
3. Host structure (wood buck, masonry, steel) to be designed and anchored to properly transfer all loads to the structure. The host structure is the responsibility of the architect or engineer of record for the project of installation.

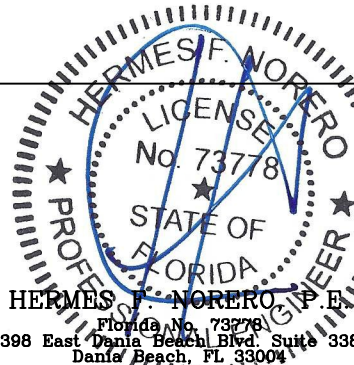
General Notes:

1. The product shown herein is designed, tested and manufactured to comply with the wind load criteria of the adopted International Building Code (IBC), the International Residential Code (IRC), the Florida Building Code (FBC) and the industry requirement for the stated conditions.
2. All glazing shall conform to ASTM E1300.
3. At minimum, glazing is 4.0mm tempered - 11.94mm airspace - 4.0mm annealed - 0.76mm PVB interlayer by Kurraray - 4.0mm annealed insulated glass.
4. Use structural or composite shims where required.

This schedule addresses only the fasteners required to anchor the unit to achieve the rated design pressure and impact performance (where applicable) up to the size limitations noted. It is not intended as a guide to the installation process and does not address the sealing consideration that may arise in different wall conditions. For the complete installation procedure, see the instructions packaged with the unit or go to www.jeld-wen.com.

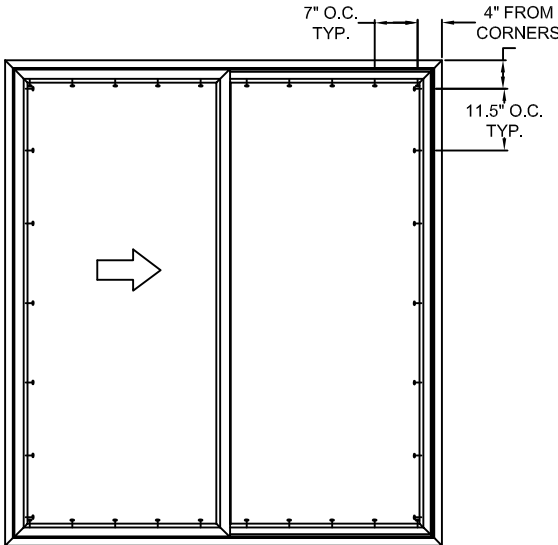
DISCLAIMER:

This drawing and its contents are confidential and are not to be reproduced or copied in whole or in part or used or disclosed to others except as authorized by JELD-WEN Inc.

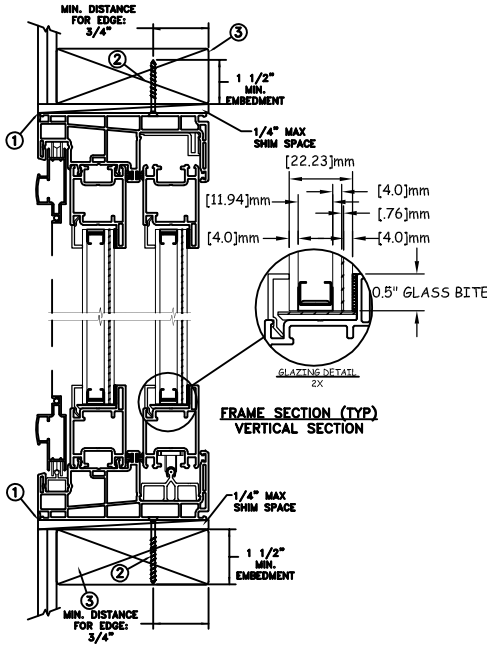


DATE: 07/20/18	3737 LAKEPORT BLVD. JELD WEN KLAMATH FALLS OR, 97601 PHONE: (800) 535-3936
DRAWN BY: A. MCMILLAN	SCALE: NTS
CHECKED BY: J. GOOSSEN	TITLE: Premium Vinyl Sliding Patio Door - WZ2
APPROVED BY: J. GOOSSEN	
RECORD No.: D008446	
REPORT No.: SJW2015-153	CAD DWG. No.: PREMVinylSPD Cert
	REV: A SHEET 1 of 4

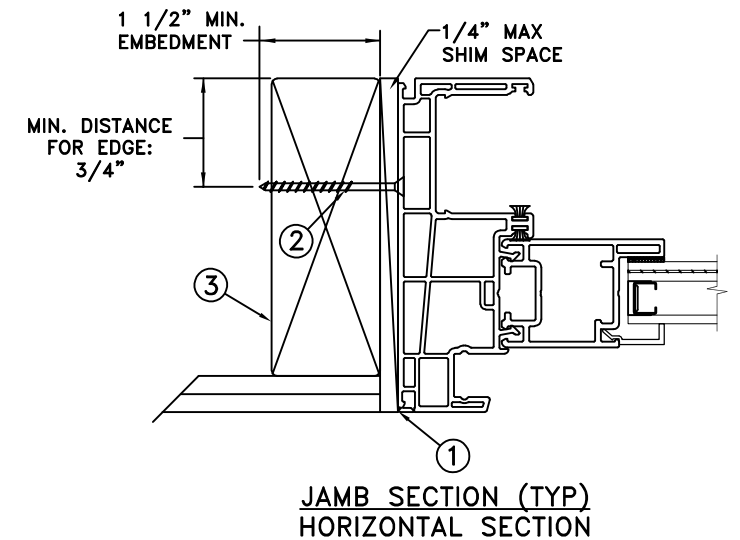
**THROUGH FRAME
INSTALLATION**



TYPICAL ELEVATION WITH FASTENER SPACING



**FRAME SECTION (TYP)
VERTICAL SECTION**



**JAMB SECTION (TYP)
HORIZONTAL SECTION**

MAXIMUM FRAME	DP	IMPACT
71 1/2 x 79	+50/-55	YES

MISSILE LEVEL C - WZ2

Installation Notes:

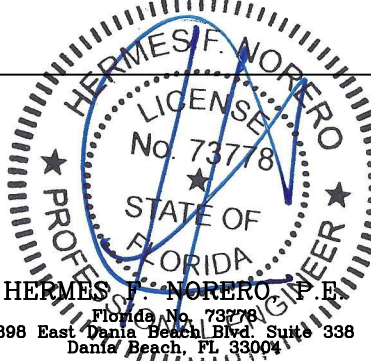
1. Seal flange/frame to substrate. Sill shall be set on a continuous serpentine bead of structural grade silicone caulk when fastener is used anchor the sill (typical).
2. Use #8 PH or greater fastener through the frame with sufficient length to penetrate a minimum of 1 1/2" into the wood framing. For 2x wood frame substrate (min. S.G. = 0.42)
3. Host structure (wood buck, masonry, steel) to be designed and anchored to properly transfer all loads to the structure. The host structure is the responsibility of the architect or engineer of record for the project of installation.

General Notes:

1. The product shown herein is designed, tested and manufactured to comply with the wind load criteria of the adopted International Building Code (IBC), the International Residential Code (IRC), the Florida Building Code (FBC) and the industry requirement for the stated conditions.
2. All glazing shall conform to ASTM E1300.
3. At minimum, glazing is 4.0mm tempered - 11.94mm airspace - 4.0mm annealed - 0.76mm PVB interlayer by Kurraray - 4.0mm annealed insulated glass.
4. Use structural or composite shims where required.

This schedule addresses only the fasteners required to anchor the unit to achieve the rated design pressure and impact performance (where applicable) up to the size limitations noted. It is not intended as a guide to the installation process and does not address the sealing consideration that may arise in different wall conditions. For the complete installation procedure, see the instructions packaged with the unit or go to www.jeld-wen.com.

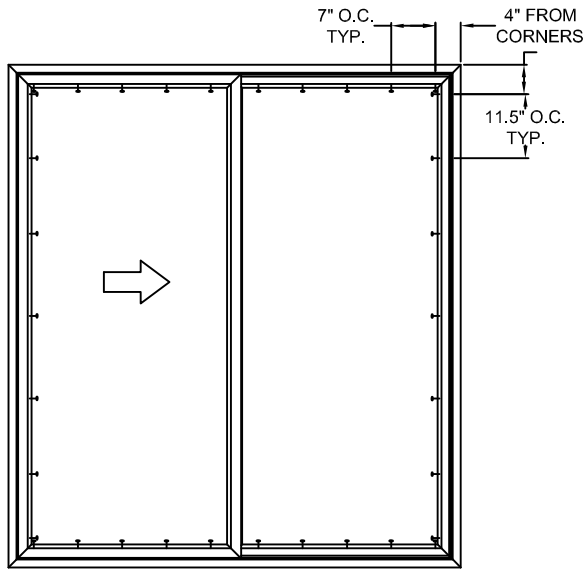
DISCLAIMER:
This drawing and its contents are confidential and are not to be reproduced or copied in whole or in part or used or disclosed to others except as authorized by JELD-WEN Inc.



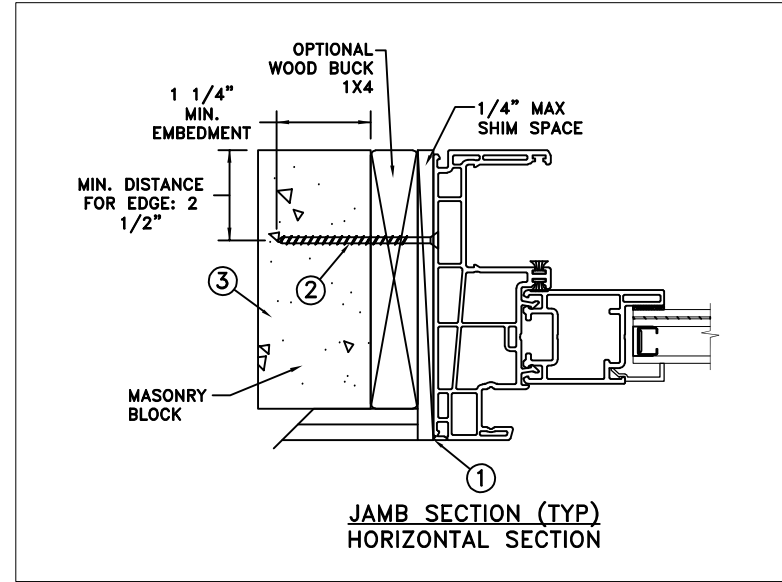
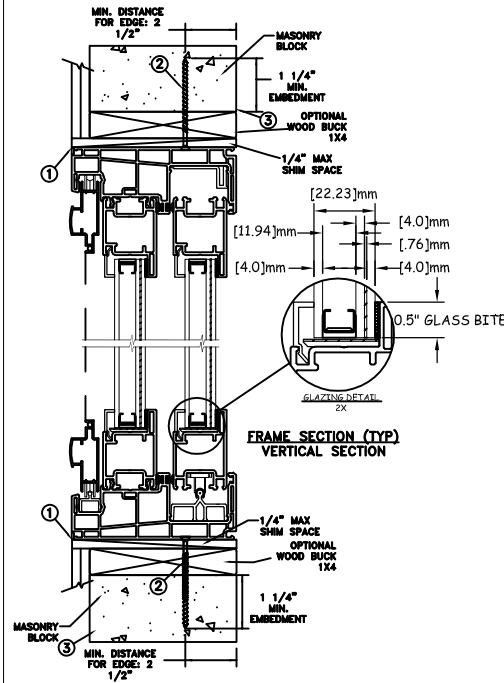
HERMES F. NORERO, P.E.
Florida No. 73778
398 East Dania Beach Blvd., Suite 338
Dania Beach, FL 33004

DATE: 07/20/18	JELD-WEN 3737 LAKEPORT BLVD. KLAMATH FALLS OR, 97601 PHONE: (800) 535-3936		
DRAWN BY: A. MCMILLAN			
CHECKED BY: J. GOOSSEN	TITLE: Premium Vinyl Sliding Patio Door - WZ2		
APPROVED BY: J. GOOSSEN			
RECORD No.: D008446			
REPORT No.: SJW2015-153	CAD DWG. No.: PREMVinylSPD Cert	REV: A	SHEET 2 of 4

CONCRETE/MASONRY
INSTALLATION



TYPICAL ELEVATION WITH FASTENER SPACING



MAXIMUM FRAME	DP	IMPACT
71 1/2 x 79	+50/-55	YES

MISSILE LEVEL C - W22

Installation Notes:

1. Seal flange/frame to substrate. Sill shall be set on a continuous serpentine bead of structural grade silicone caulk when no fastener is used to anchor the sill (typical).
2. Use 3/16" Tapcon or equivalent fasteners through frame with sufficient length to penetrate a minimum of 1 1/4" into concrete or masonry at each location with a 2 1/2" min. from edge distance. For concrete (min. fc = 3000 psi) or masonry (min = 2000psi) substrate (CMU shall adhere to ASTM C90).
3. Host structure (wood buck, masonry, steel) to be designed and anchored to properly transfer all loads to the structure. The host structure is the responsibility of the architect or engineer of record for the project of installation.

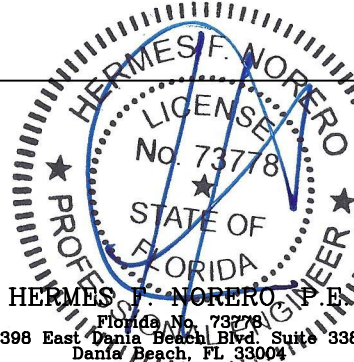
General Notes:

1. The product shown herein is designed, tested and manufactured to comply with the wind load criteria of the adopted International Building Code (IBC), the International Residential Code (IRC), the Florida Building Code (FBC) and the industry requirement for the stated conditions.
2. All glazing shall conform to ASTM E1300.
3. At minimum, glazing is 4.0mm tempered - 11.94mm airspace - 4.0mm annealed - 0.76mm PVB interlayer by Kurraray - 4.0mm annealed insulated glass.
4. Use structural or composite shims where required.

This schedule addresses only the fasteners required to anchor the unit to achieve the rated design pressure and impact performance (where applicable) up to the size limitations noted. It is not intended as a guide to the installation process and does not address the sealing consideration that may arise in different wall conditions. For the complete installation procedure, see the instructions packaged with the unit or go to www.jeld-wen.com.

DISCLAIMER:

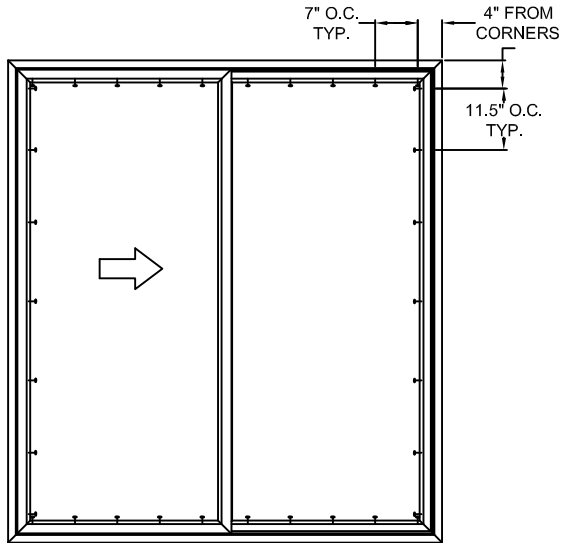
This drawing and its contents are confidential and are not to be reproduced or copied in whole or in part or used or disclosed to others except as authorized by JELD-WEN Inc.



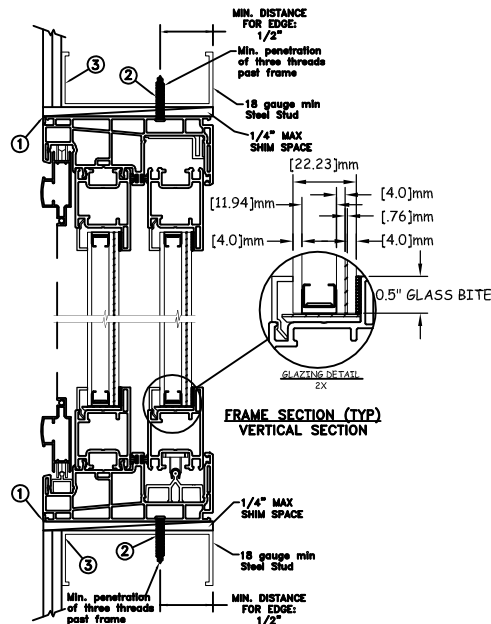
HERMES F. NORERO, P.E.
Florida No. 73778
398 East Dania Beach Blvd., Suite 338
Dania Beach, FL 33004

DATE: 07/20/18		3737 LAKEPORT BLVD. KLAMATH FALLS OR, 97601 PHONE: (800) 535-3936
DRAWN BY: A. MCMILLAN		SCALE: NTS
CHECKED BY: J.GOOSSEN	TITLE: Premium Vinyl Sliding Patio Door - W22	
APPROVED BY: J.GOOSSEN	RECORD No.: D008446	REPORT No.: SJW2015-153
CAD DWG. No.: PREMVinylSPD Cert	REV: A	SHEET 3 of 4

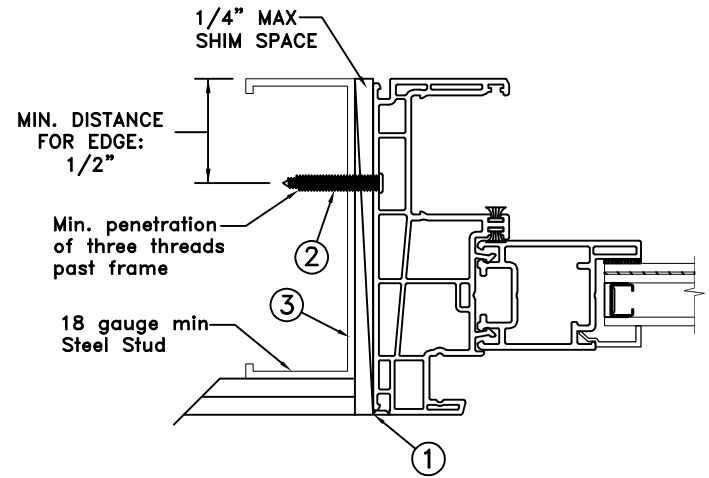
STEEL INSTALLATION



TYPICAL ELEVATION WITH FASTENER SPACING



FRAME SECTION (TYP)
VERTICAL SECTION



JAMB SECTION (TYP)
HORIZONTAL SECTION

MAXIMUM FRAME	DP	IMPACT
71 1/2 x 79	+50/-55	YES

MISSILE LEVEL C - W22

Installation Notes:

1. Seal flange/frame to substrate. Sill shall be set on a continuous serpentine bead of structural grade silicone caulk when fastener is used to anchor the sill (typical).
2. For Anchoring into metal framing, use # 8 TEK Self Tapping screws with sufficient length to achieve a minimum penetration of three threads past the frame thickness. Steel substrate min. 18ga. (fy = 33ksi).
3. Host structure (wood buck, masonry, steel) to be designed and anchored to properly transfer all loads to the structure. The host structure is the responsibility of the architect or engineer of record for the project of installation.

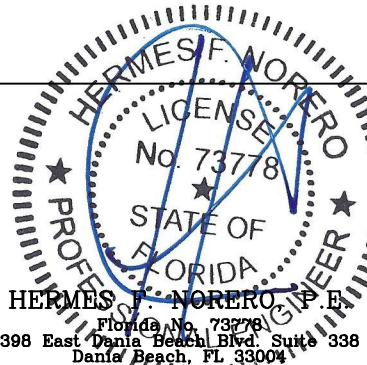
General Notes:

1. The product shown herein is designed, tested and manufactured to comply with the wind load criteria of the adopted International Building Code (IBC), the International Residential Code (IRC), the Florida Building Code (FBC) and the industry requirement for the stated conditions.
2. All glazing shall conform to ASTM E1300.
3. At minimum, glazing is 4.0mm tempered - 11.94mm airspace - 4.0mm annealed - 0.76mm PVB interlayer by Kurraray - 4.0mm annealed insulated glass.
4. Use structural or composite shims where required.

This schedule addresses only the fasteners required to anchor the unit to achieve the rated design pressure and impact performance (where applicable) up to the size limitations noted. It is not intended as a guide to the installation process and does not address the sealing consideration that may arise in different wall conditions. For the complete installation procedure, see the instructions packaged with the unit or go to www.jeld-wen.com.

DISCLAIMER:

This drawing and its contents are confidential and are not to be reproduced or copied in whole or in part or used or disclosed to others except as authorized by JELD-WEN Inc.



DATE: 07/20/18		3737 LAKEPORT BLVD. KLAMATH FALLS OR, 97601 PHONE: (800) 535-3936
DRAWN BY: A. MCMILLAN		SCALE: NTS
CHECKED BY: J. GOOSSEN	TITLE: Premium Vinyl Sliding Patio Door - W22	
APPROVED BY: J. GOOSSEN	RECORD No.: D008446	REPORT No.: SJW2015-153
CAD DWG. No.: PREMVinylSPD Cert	REV: A	SHEET 4 of 4